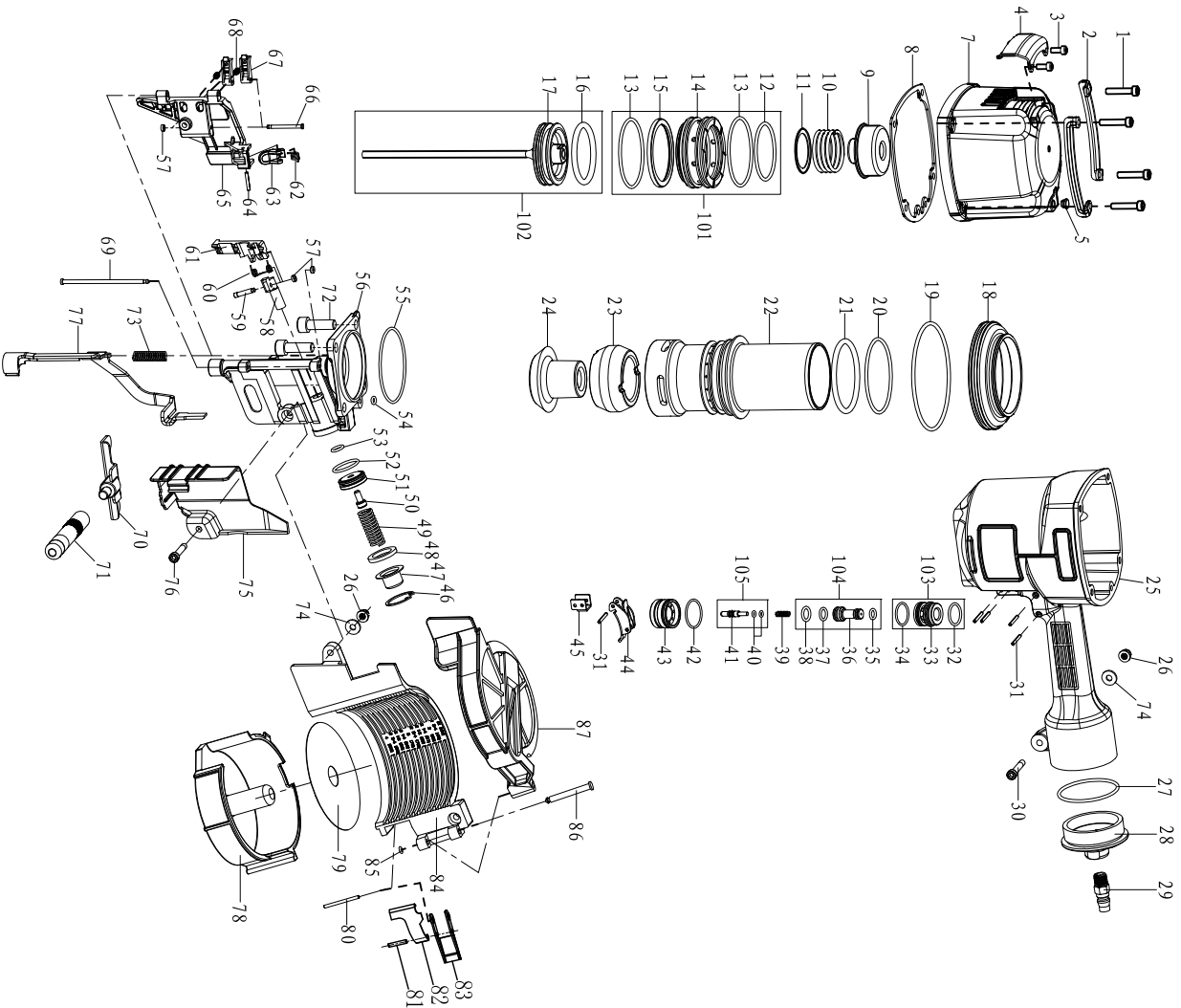


SERIES EXPLODED VIEWS OF NAILER

CN100B



ITEM	PART NO.	PART NAME	Q'TY	ITEM	PART NO.	PART NAME	Q'TY
1	B01-01-060300-02	SCREW	4	49	AA57A-031A	SPRING	1
2	AA57B-014A	PROTECTOR	2	50	B01-01-060120-02	SCREW	1
3	B01-01-050120-02	SCREW	2	51	AA57A-026A	PISTON	1
4	AA57B-009A	EXHAUST COVER	1	52	B08-025000250	O-RING	1
5	AA57B-028A	DUST COVER	1	53	B08-009800240	O-RING	1
7	AA57B-Y12A1	CYLINDER CAP	1	54	B08-007500180	O-RING	1
8	AA57B-007A	SHIM	1	55	B08-076000250	O-RING	1
9	AA57B-006A	AIRRR00F CUSHION	1	56	AA57B-002A	MUZZLE	1
10	AA57B-013A	SPRING	1	57	AA40A-054A	RUBBER JACKER	3
11	AA57B-011A	GASKET	1	58	AA57A-027A	PISTON SPRING	1
12	B08-056500310	O-RING	1	59	AA40A-032A	PIN	1
13	B08-069000300	O-RING	2	60	AA57A-010A	SPRING	1
14	AA57B-010A	ACTIVE VALVE	1	61	AA57A-028A	FEED PAWL	1
15	AA57B-012A	ACTIVE VALVE SEAL	1	62	AA57B-029A	SPRING	1
16	B08-055600570	O-RING	1	63	AA57B-021A	DOOR FASTENER	1
17	AA57B-Y05A1	DRIVER	1	64	B02-030200-02	SPRING PIN	1
18	AA57B-016A	CYLINDER RETAINER	1	65	AA57B-003A	DOOR	1
19	B08-109000355	O-RING	1	66	AA57B-027A	PIN	1
20	B08-073800310	O-RING	1	67	AA42A-028A	CHECK PAWL	2
21	B08-069000530	O-RING	1	68	AA40A-055A	SPRING	2
22	AA57B-015A	CYLINDER	1	69	AA57B-023A	PIN	1
23	AA57B-018A	BUMPER I	1	70	AA57B-Y11A1	GRIPPE LINKER	1
24	AA57B-017A	BUMPER II	1	71	AA57B-008A	GRIPPE	1
25	AA57B-001A	BODY	1	72	B01-01-100300-02	SCREW	4
26	B07-01-060-02	LOCKNUT	2	73	AA57A-021A	SPRING	1
27	B08-057000300	O-RING	1	74	AA40A-056A	FLAT WASHER	2
28	AA42A-014A	TAIL CAP	1	75	AA57B-024A	MUZZLE COVER	1
29	AA06A-018A	AIR PLUG	1	76	B01-01-060300-02	SCREW	1
30	B01-01-060350-02	SCREW	1	77	AA57B-025A	SAFETY	1
31	B02-030250-02	ROLL PIN	5	78	AA42A-030A	NAIL SUPPORT	1
32	B08-016000180	O-RING	1	79	AA42A-039A	METAL GASKET	1
33	AA17D-005A	VALVE SLEEVE	1	80	B02-030420-02	ROLL PIN	1
34	B08-017000150	O-RING	1	81	B02-030160-02	ROLL PIN	1
35	B08-005800190	O-RING	1	82	AA42A-033A	FASTENER	1
36	AA17D-006A	VALVE	1	83	AA42A-034A	FASTENER SEAT	1
37	B08-006800190	O-RING	1	84	AA57B-022A	MAGAZINE	1
38	B08-008800190	O-RING	1	85	B08-003500200	O-RING	1
39	AA40A-062A	SPRING	1	86	AA42A-032A	MAGAZINE PIN	1
40	B08-002500140	O-RING	2	87	AA57B-030A	MAGAZINE COVER	1
41	AA17D-007A	THIMBLE	1				
42	B08-021000150	O-RING	1				
43	AA40A-049A	VALVE CAP	1	101	AA57B-Y02A1	ACTIVE VALVE SET	
44	AA40A-Y14A1	TRIGGER	1	102	AA57B-Y06A1	DRIVER SET	
45	AA42A-019A	SAFETY LIMITR	1	103	AA17D-Y04A1	VALVE SLEEVE SET	
46	B03-05-0320-02	CIRCLIP	1	104	AA17D-Y05A1	VALVE SET	
47	AA57A-030A	FEED PISTON BAPFLE	1	105	AA17D-Y06A1	THIMBLE SET	
48	AA57A-029A	FEED PISTON STOP	1				